

For more efficiency.

PROMESS

Assembly and Sensor Technology

KAF-S Force Transducer

Applications

- Measuring of tension and compression forces in machines and systems
- Material testing machines and test rigs
- Hydraulic cylinder

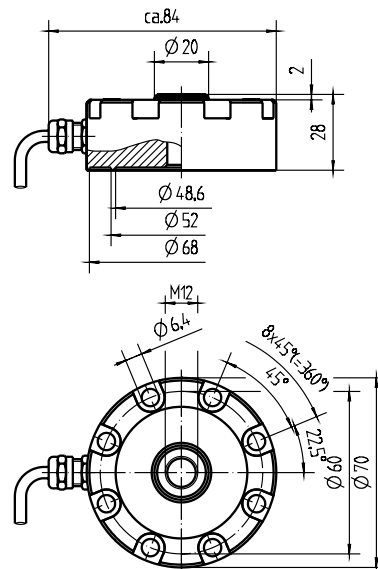
Features

- 100N up to 10kN
- Small overall dimensions
- Made from stainless steel or aluminium (<500N)
- Environmental protection IP 42



Dimensions (mm)

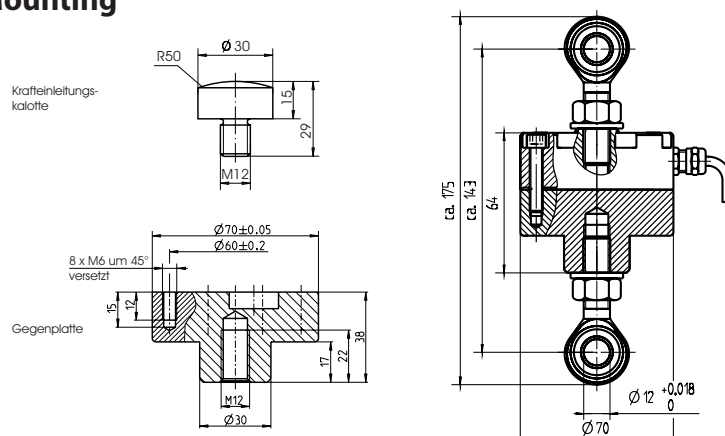
Rated Force	Rated Displacement/ mm	Weight
100N and 200N	0.05	0.5 kg
500N	0.11	0.5 kg
1kN	0.10	0.5 kg
2kN	0.19	0.5 kg
5kN	0.33	0.5 kg
10kN	0.40	0.5 kg



Tightening torque of fixing screws

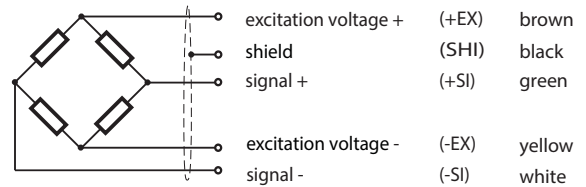
Rated Force	Size	Tightening Torque
100N up to 10kN	M6	9Nm

Appliances for Installation and Mounting



Wiring Code

Cable length 3.0m



Compressive load is a positive change of signal.

Specifications

Accuracy Class	% F _{nom}	0.1	0.2
Rated force (F _{nom})	kN	0.1/ 0.2/ 0.5/ 1/ 2/ 5/ 10	
Maximum operating force(F _G)	% F _{nom}	150	
Breaking force (F _B)	% F _{nom}	> 300	
Lateral force limit (F _Q)	% F _{nom}	10	
Rated characteristic value (C _{nom})	mV/V	2.000 ± 0.005	
Relative deviation of zero signal	%	≤ 3	
Reference excitation voltage (U _{ref})	VDC	10	
Input resistance (R _e)	Ω	760 ± 60	
Output resistance (R _a)	Ω	704 ± 6	
Insulation resistance (R _{is})	Ω	> 5 x 10 ⁹	
Relative linearity error (d _{lin})	%	0.1	0.2
Relative reversibility error (v)	%	0.1	0.2
Temperature effect on zero signal (TK ₀)	%/10K	0.1	0.2
Temperature effect on charact. value (TK _C)	%/10K	0.1	0.2
Relative creep over 30 minutes (d _{cr, F+E})	%	0.1	0.2
Reference temperature (T _{ref})	°C	+23	
Rated temperature range (B _{T, nom})	°C	-20 ... +50	
Operating temperature range (B _{T, G})	°C	-20 ... +50	
Storage temperature range (B _{T, S})	°C	-30 ... +70	
Environmental protection (EN 60529)		IP 42	

All data according to VDI/VDE/DKD 2638

Order Example

Type Code	Description
KAF-S/1kN/0.2	Force transducer 1kN with 0.2% accuracy class
	Accuracy class
	Rated force
	Model

Accessoires / Options

	Type Code	Description
Load button	XKM 019	K12-50 for KAF-S 100N up to 10kN
Base plate	XKM 033.03 XKM 033.04	for 100N up to 200N (aluminium) for 500N up to 10kN (stainless steel)
Road end bearing	GKA 12	male thread with locknut for 100N up to 10kN