

Data sheet

Assembly Press

Assembly Press Line5 Parallel 1000-75-20

Main functions	
Nominal force (push/pull)	100 / 100 kN
Stroke	750 mm
Nominal speed	200 mm/s
Nominal acceleration	1000 mm/s ²
Dwell time of nominal load	min. 4 s
Weight mechanics (HGX/SGX)	288,3 / 310,4 kg
Max. tool weight*	80 kg
Force	
Measuring principle	DMS
System accuracy**	<1% with 2-point-calibration / <0,3% with characteristic map
Amplifier PDM-S / (WxHxD)	Aluminum die-cast / 125 x 80 x 57 mm
Output signal	digital
Protection class	IP40
Power supply	19...36 VDC (3 W)
Distance measuring	
Feedback device	Multiturn
Repeatability of positioning***	< 0,01 mm
Servo amplifier	
Type	M702-054-00300-A
Dimensions (WxHxD)	143 x 391 x 200 mm
Mains voltage	3 AC 380 V ... 480 V, +/- 10 %
Cable cross section (input)	IEC 6 mm ² / UL 8 AWG
Cable cross section (output)	IEC 6 mm ² / UL 8 AWG
Protection class (DIN 60529)	IP20
Weight	7,4 kg

Servo amplifier	
Recommended protection	IEC 35 A gG UL/USA 35 A CC or J
Temperature range	-20 °C...+50 °C
Power loss	434 W
Line filter	
Weight	4,2 kg
Cable cross section (input)	6 mm ² / 10 AWG
Power loss	47 W
Dimensions (WxHxD)	143 x 437 x 60 mm
Protection class (DIN 60529)	IP20
Interfaces	
PC	Ethernet
PLC (24 VDC)	3I / 4O
PLC Fieldbus	Profibus, Profinet, EtherCat, EtherNet/IP, Modbus/TCP
Extension Options	PDM-A: 4x analogue / PDM-P: Piezo / PDM-I/O: 16I / 16O

* if using a holding brake: max. permitted tool weight = 10% nominal load. For a heavier tool weight please consult PROMESS.

** Force measuring system, static calibration in relation to the reference system / *** at thermal steady-state

All nominal values refer to 400 V mains voltage.

Tilting of the plunger due to the tool weight must be considered for a horizontal installation.

Radial forces must not exceed 8% of the nominal force of the unit.

If the ratio of pause time / cycle time is < 0,5, please consult PROMESS.

Order code: **LN5 P1000-075-020**

Motor position

I: Inline / P: Parallel

Nominal force in 1/10 kN

Nominal stroke in cm

Nominal speed in cm/s

Brake:

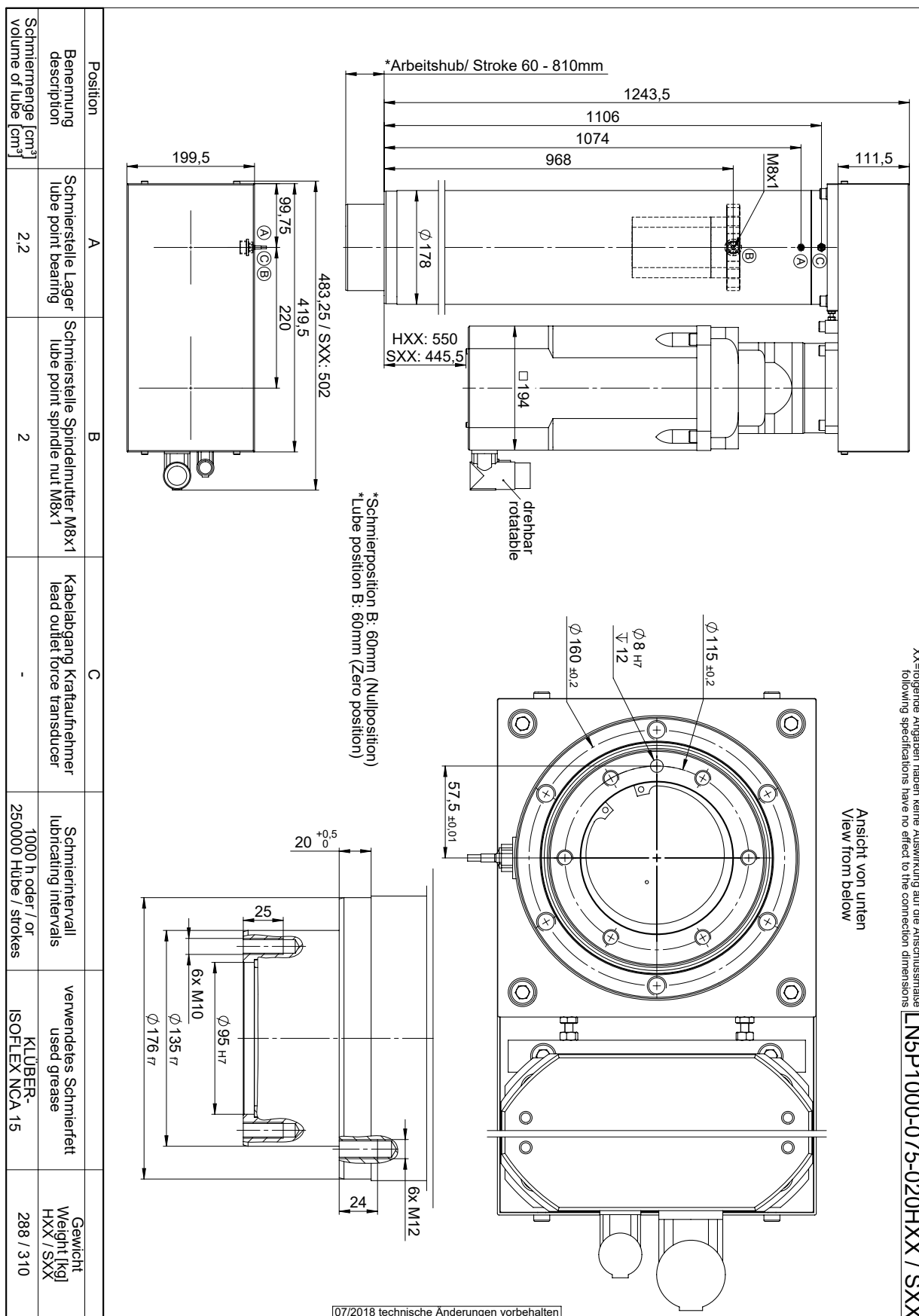
H: Holding brake / S: Safety brake

N: without brake

Special type:

GX: Basic version / XX: Special type

For more efficiency.



XX=folgende Angaben haben keine Auswirkung auf die Anschlussmaße
following specifications have no effect to the connection dimensions

LN5P1000-075-020HXX / SXX

Ansicht von unten
View from below