

Universal Press PROMESS-RAPID

Article Nr. 368103V

(Option force measuring)

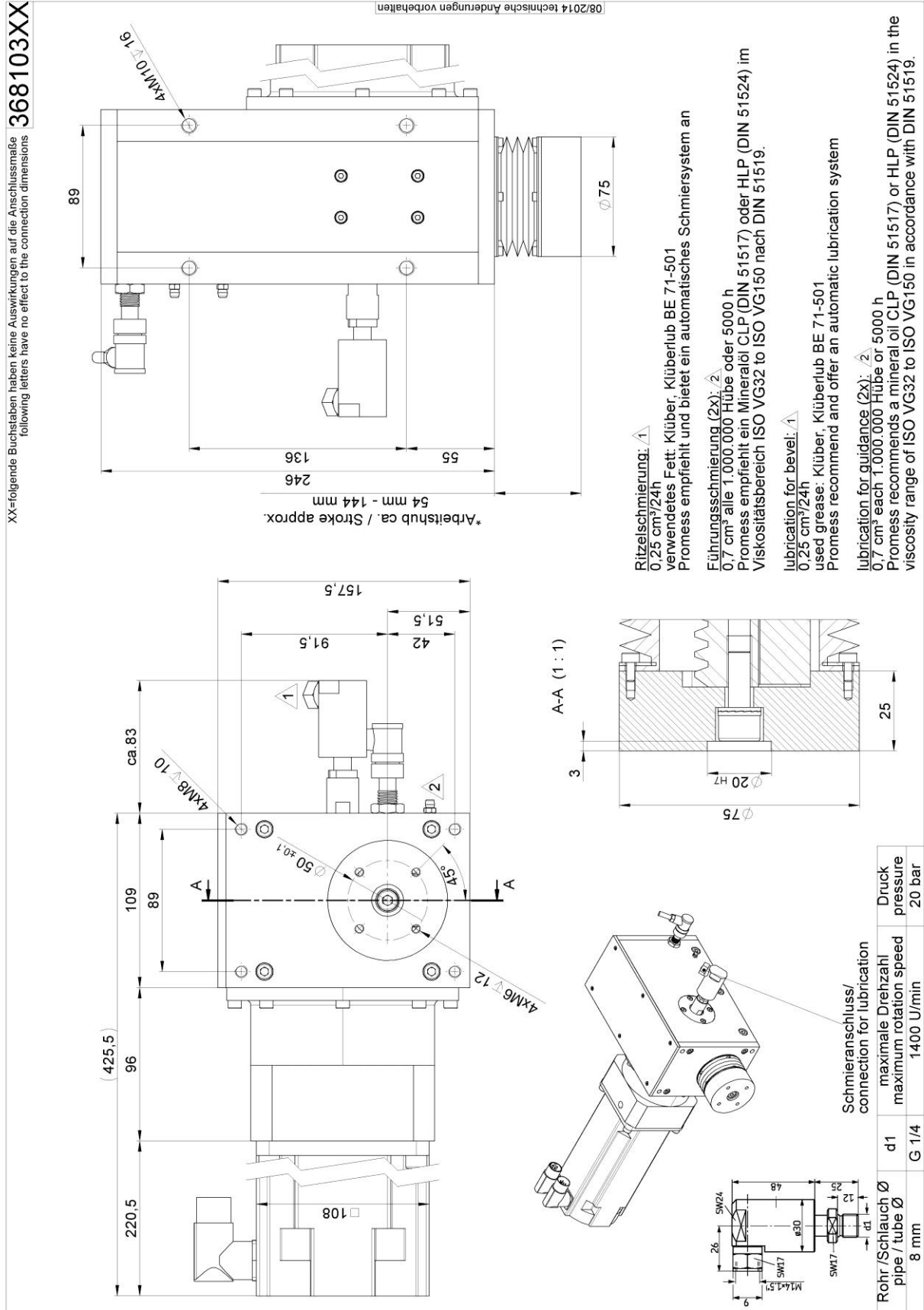
The Universal Press PROMESS-RAPID is features by performance data that is similar to a linear axis, but with a much improved energy utilisation. The press is used for assembly and test applications with an extreme short cycle time. It can also be used for stamping operations in the plastics technology field. The unit has a compact and robust mechanical design driven by an AC Servo Drive.



MAIN FUNCTIONS	
Nominal load	Nominal load
Stroke	Stroke
Nominal speed	Nominal speed
Acceleration	Acceleration
Dwell time of nominal load	Dwell time of nominal load
Weight	Weight
DISTANCE MEASURING	
Resolution	Resolution
Repeatability of positioning	Repeatability of positioning
DRIVE	
Dimensions (B*H*T)	Dimensions (B*H*T)
Mains voltage	Mains voltage
Cable cross sectional – area	Cable cross sectional – area
Protection class	Protection class
Weight	Weight
Recommended protection	Recommended protection
Temperature range	Temperature range
Thermal power loss	Thermal power loss
Extension options	
Force measurement	Force measurement
In - / Output (24 VDC)	In - / Output (24 VDC)
INTERFACE PC	
PLC INTERFACE (24 VDC)	PLC INTERFACE (24 VDC)
OPTION: PLC FIELDBUS INTERFACE	OPTION: PLC FIELDBUS INTERFACE

* at thermal steady-state

XX=folgende Buchstaben haben keine Auswirkungen auf die Anschlussmaße following letters have no effect to the connection dimensions **368103XX**



PROMESS Gesellschaft für Montage- und Prüfsysteme mbH

Nunsdorfer Ring 29
D - 12277 Berlin
Tel.: +49/30/62 88 72 0

Fax: +49/30/62 88 72 59
e-mail: promess@promessmontage.de
web: www.promessmontage.de